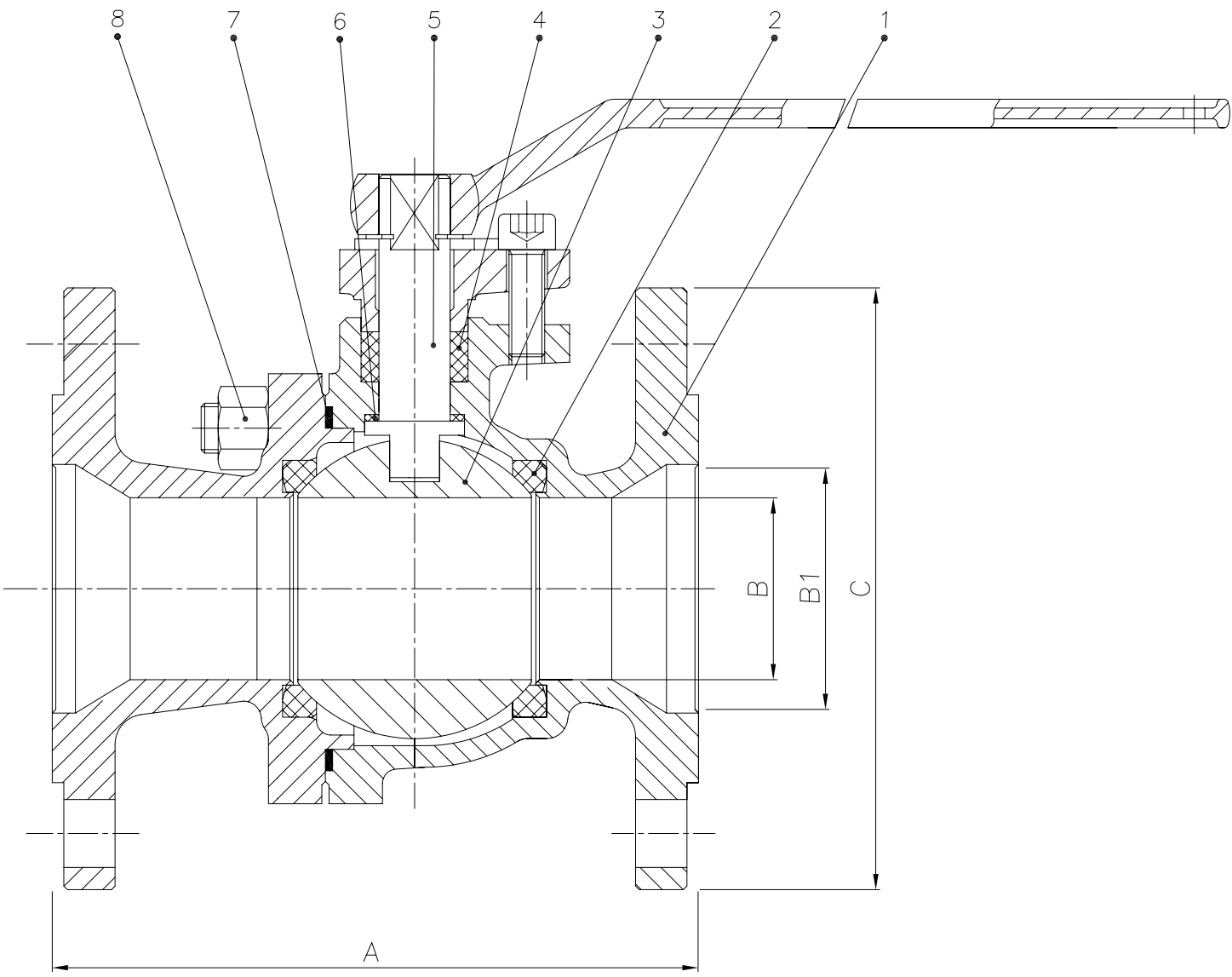


1 2 3 4 5 6 7 8

8	BOLTING	ASTM A193 B7M/ A194 Gr.2HM	ASTM A193 B8M/ A194 Gr.8M	
7	GASKET	SS304+GRAPHITE		
6	LOWER THRUST WASHER	PTFE		
5	STEM	ASTM A182 F316		
4	STEM SEAL	PTFE		
3	BALL	ASTM A351 CF8M		
2	SEAT RING	RPTFE		
1	BODY/CLOSURE	ASTM A216 WCB/ ASTM A352 LCB	ASTM A351 CF8M	
NO	PART NAME	MATERIAL		NOTES

NOTES	
1	
2	
3	



Size	A	B	B1	C
1/2"x3/8"	108	10	12	89
3/4x1/2"	117	14	20	98
1x3/4"	127	19	25	108
1 1/2x1"	165	25	38	127
2"x1 1/2"	178	38	51	152
3"x2"	229	51	77	190
4"x3"	229	77	102	228
6"x4"	394	102	152	280
8"x6"	457	152	203	343
10"x8"	533	203	254	406

MATERIALS TO FACE MRO175 LATEST EDITION (WELDED PARTS)

DESIGN CODE	API 6D/ANSI B16.34	TEST PRESSURES		
FACE TO FACE DIMENSIONS	ASME B16.10	BODY	30.0	Barg
ENDS FLANGES DIMENSIONS	ASME B16.5	SEAT	22.0	Barg
TESTING CODE	API 598	SEAT - AIR	6.0	Barg

REV	DATE	DESCRIPTION	BY	CHK	APP

SCALE:		
DRAWN	DM	DATE: 16/02/2012
CHECKED	SMN	DATE
APPROVED	AW	DATE

DRAWING TITLE:
API 6D, CARBON STEEL CLASS 150
FLOATING BALL, RF, RB, BALL VALVE

CLIENT:
VENDOR PO REF:
EVC REF:

CAD. No. DRAWING NUMBER: 120010 REV 00
AREA No. | FACILITY | TYPE | SEQ. No. | SHT. No.

1 2 3 4 5 6 7 8